

ProDek Folding Alloy Podium Platform



COMPACT FOR STORAGE & TRANSPORT
Closed size 1200mm x 1020mm x 390mm.

LARGE WORK PLATFORM
1.10m x 0.66m ; (footprint 1.73 x 0.70m)

3 OPTIONAL PLATFORM HEIGHTS
550mm + 630mm + 700mm

WORKING REACH HEIGHTS
1.55m to 2.70m

MAX SAFE WORKING LOAD
150kg / 23.5 stones

- ▶ Designed to fold down & dismantle for transport & storage but open for reach heights up to 2.70m.
- ▶ Supplied in just three components – folded Platform plus 2 Guardrail Frames.
- ▶ Ideal for one-man use - simply unfold the base unit, attach guardrails and start work! Access through hinged gates at both ends of platform.
- ▶ THREE optional platform levels between 550mm and 700mm will suit most low-level requirements.
- ▶ Easily portable - at only 25kg it can be carried by one person.
- ▶ Easily manoeuvrable - anti-surf base fitted with two static feet and two locking wheels keeps ProDek safe during use but allows comfortable lift-n-roll between locations.
- ▶ Lightweight yet robust for regular Industrial use - max safe working load 150kg / 23.5stones.
- ▶ Fully guardrailed to ensure user safety at all times and at all heights.
- ▶ Provides a large platform 1.1m long and 0.66m wide (3' 8" x 2' 2"). Open footprint: 1.73m x 0.70m.
- ▶ Compact, safe & simple. Closed dimensions: 1200mm x 1020mm x 390mm.
- ▶ ProDek is manufactured under a BS ISO9001 approved Quality System and complies with load safety factor requirements of BS EN1004.

See much more excellent safety access equipment in our brilliant website

01452 520144



www.ladders999.co.uk

ProDek Folding Alloy Podium Platform

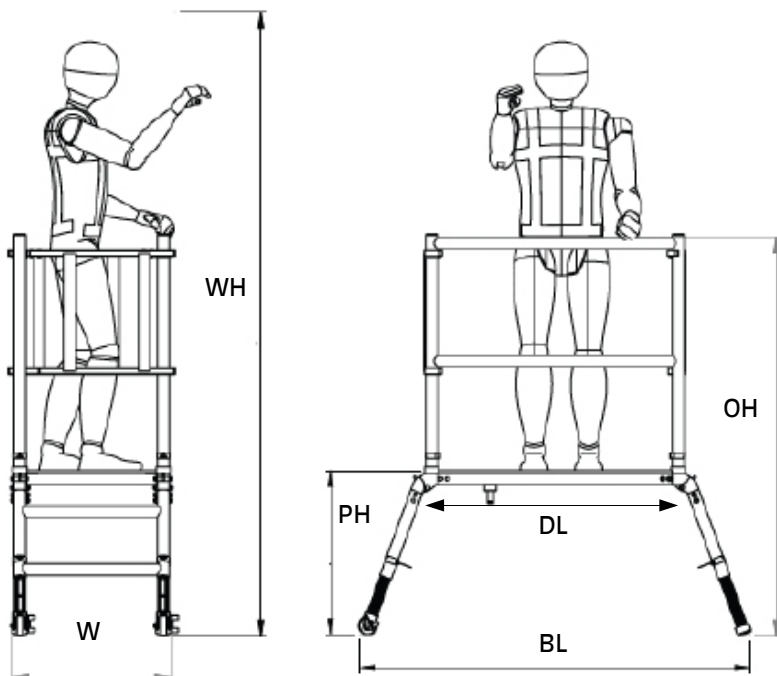
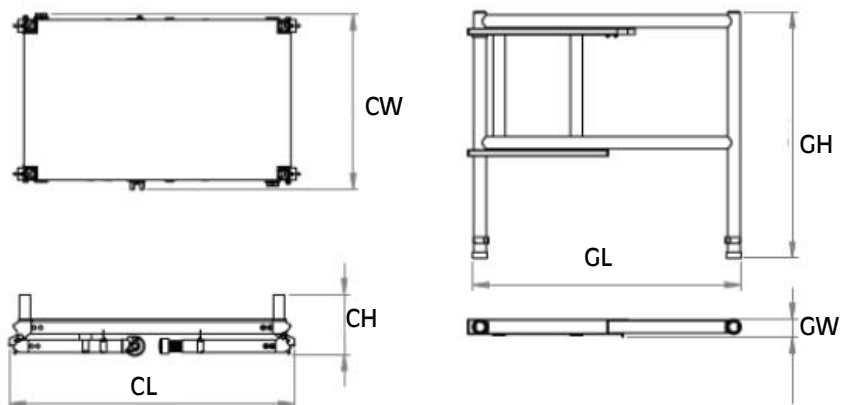
Prodek Components		Qty
1	Folding Guardrail Frame Units	2
2	Folding Deck Unit c/w wheels	1
3	Instruction Manual	1

- ▶ Provides a large platform 1.1m long and 0.66m wide (3' 8" x 2' 2"). Open footprint: 1.73m x 0.70m.
- ▶ Compact, safe & simple. Closed dimensions: 1200mm x 1020mm x 390mm.



Unit Dimensions

Base Unit Open max	BL x W	1.73m x 0.70m
Base Unit Closed	CL x CW x CH	1.20 x 0.70 x 0.25m
Guardrails Closed each	GL x GW x GH	1.10 x 0.07 x 1.02m



- ▶ THREE optional platform levels between 550mm and 700mm will suit most low-level requirements.

Working Dimensions

Deck Plan Size	DL x W	1.10 x 0.66m
Platform Heights	PH	0.55m 0.63m 0.70m
Overall Heights	OH	1.55m 1.63m 1.70m
Working Heights	WH	2.55m 2.63m 2.70m
Max Safe Working Load		150kg
Total Unit Weight		25kg

See much more excellent safety access equipment in our brilliant website

01452 520144



www.ladders999.co.uk